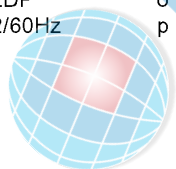


LAVASTOVIGLIE A CAPOTTINA da 1000 / 1200 piatti/h
HOOD TYPE DISHWASHER up to 1000 / 1200 dishes/h

LS 10 / LS 12

Code	Type	Ref.	Page	Code	Type	Ref.	Page
504100	LS10	a	2 3 4 5	504128	LS12CW	q	2 3 4 5
504102	LS10UK/DP	b	2 3 4 5	504129	HT1200DEK	z	2 3 4 5
504104	ECOTEMP12	w	2 3 4 5	504153	LS12HD	r	2 3 4 5
504105	LS10/60Hz	c	2 3 4 5	504161	LS12UK/3CW	s	2 3 4 5
504107	Ls10CW	d	2 3 4 5	504163	LS12AU	t	2 3 4 5 6
504108	LS10INS	e	2 3 4 5	504164	LS12UK/DPCW	u	2 3 4 5
504109	HT1200INS DEK	y	2 3 4 5	504165	ECOTEMP12SW	x	2 3 4 5
504111	LS10/9SWEDISH	f	2 3 4 5	504178	LS12CW INS	v	2 3 4 5
504114	LS10/DP	g	2 3 4 5	504190	LS12 ASIA	G	2 3 4 5
504115	LS10HD	h	2 3 4 5	698050	HT1200	A	2 3 4 5
504118	LS10/UK/1	k	2 3 4 5	698051	HT1000	D	2 3 4 5
504119	LS10UK/3	l	2 3 4 5	698052	HT1000 INS	E	2 3 4 5
504120	LS12INS	m	2 3 4 5	698053	HT1200 INS	B	2 3 4 5
504121	LS12	n	2 3 4 5	698054	HT1000 DP	F	2 3 4 5
504122	LS12DP	o	2 3 4 5	698055	HT1200 DP	C	2 3 4 5
504125	LS12/60Hz	p	2 3 4 5				



Pag.	Indice
2	Vista generale
3	Componenti idraulici
4	Circuito idraulico
5	Componenti elettrici
6	Componenti AU
7-9	Lista ricambi

Index
Main view
Hydraulic components
Hydraulic circuit
Electrical components
AU components
Spare parts list

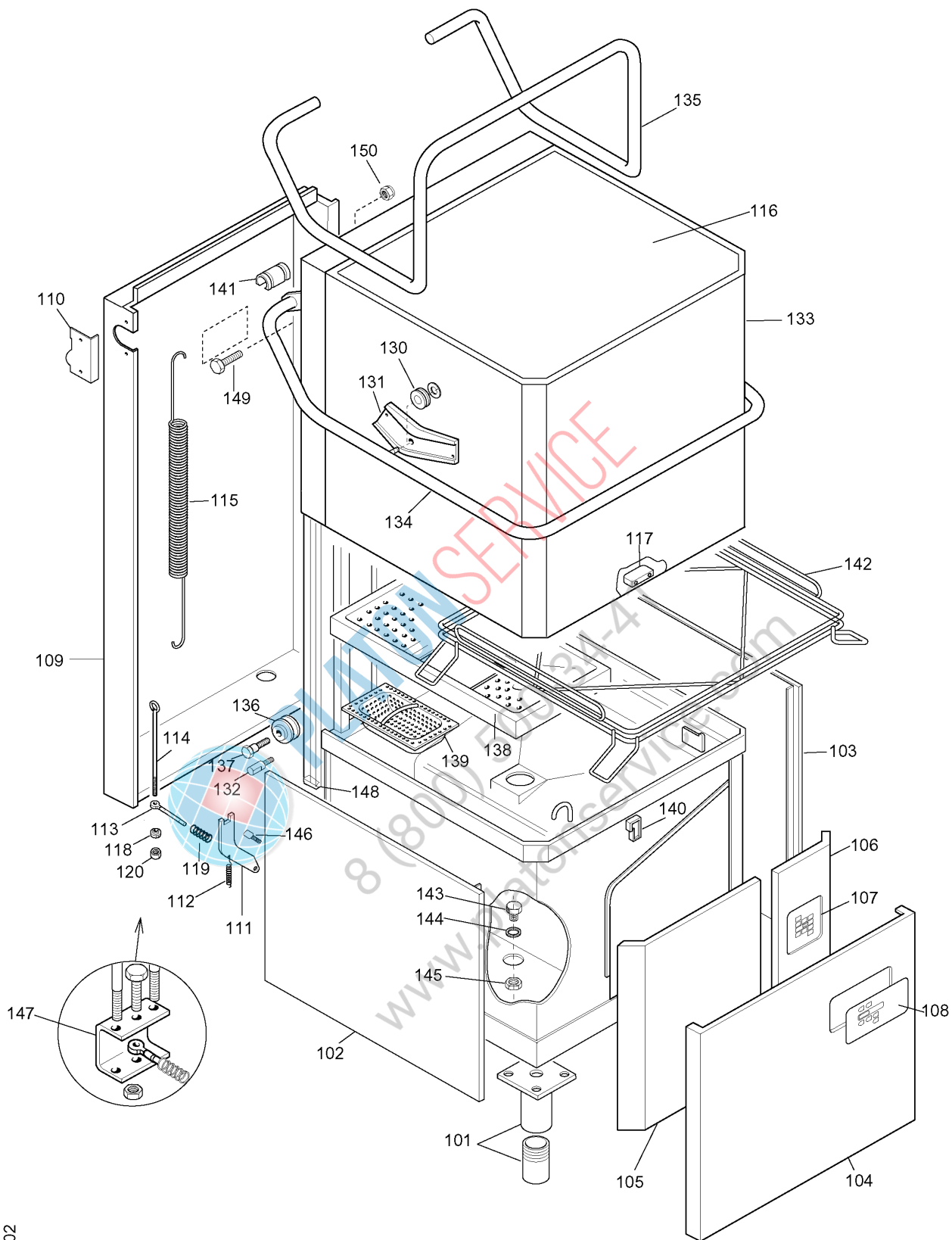
LS_10 -12 \ Zan\ 641002

Marchio / Brand: Z - Dek - Eco - A
Paese / Country: Tutti / All

Da Ser. Nr. / From ser. nr.: /944

Page: 1 Ed. 01-11

 Doc. Nr.: **6-41 002**



ill. 641002p1

Da Ser. Nr. / From ser. nr.: /944

Page: 2

Ed.01-02

Doc. Nr.: **6-41 002**

LS_10_-12 \ Zan\ 641002

??????	504121								
??????	6-41002		???????? 2				Main view		
.		Alias		S			.		(Euro)
0101	048579			S	C			COMPLETE FOOT; H=153MM	16,66
0102	049743							SIDE PANEL; LEFT a,b,c,d,e,f,g,h,k,l,m,n,o,p,q,r,s .t,u,v,y,z,A,B,C,D,E,F,G	97,44
0103	049742							RIGHT SIDE PANEL a,b,c,d,e,f,g,h,k,l,m,n,o,p,q,r,s .t,u,v,y,z,A,B,C,D,E,F,G	97,44
0105	049565				D		CGX200 6-08	FRONT PANEL a,b,c,d,e,f,g,h,k,l,m,n,o,p,q,r,s .t,u,v,G	262,90
0106	049564		049839					CONTROL PANEL a,b,c,d,e,f,g,h,k,l,m,n,o,p,q,r,s .t,u,v,G - Up to Ser: 113	
0106	049839							CONTROL PANEL a,b,c,d,e,f,g,h,k,l,m,n,o,p,q,r,s .t,u,v,G - From Ser:114	
0107	049606							MEMBRANE m,n,o,p,q,r,s,u,v,G	152,30
0109	049569							BACK PANEL a,c,d,e,f,g,h,m,n,o,p,q,r,t,v,y,z, A,B,C,D,E,F,G	
0110	049735				D			CLOSURE; LH	
0110	049736							CLOSURE; RH	16,88
0111	049578							LEVER	11,89
0112	049584							SPRING	3,69
0113	049587							PIN a,b,c,d,f,g,h,k,l,n,o,p,q,r,s,t,u, w,x,z,A,C,D,F,G	7,85
0114	049583			S				SPRING STRETCHER	10,18
0115	049582			S				SPRING Up to Ser: 137	34,71
0115	049582			S				SPRING a,b,c,d,e,f,g,h,k,l,m,n,o,p,q,r,s .u,v,w,x,y,z,A,B,C,D,E,F,G - From Ser: 137	34,71
0116	049576		049795					LID a,b,c,d,e,f,g,h,k,l,m,n,o,p,q,r,s .t,u,v,A,B,C,D,E,F,G	
0117	049627			S				MAGNET	9,82
0118	049761			S				BUSH	1,91
0119	049585			S				SPRING	2,86
0120	0H2562			S				FLANGE NUT M6	1,02
0130	049598			S				ROLLER; FOR HOOD HANDLE	2,32
0131	049597			S				RUNNER; FOR HANDLE	7,60
0132	048635			S				PIN	11,74
0133	049635		0L0418					MAISABLE HOOD a,b,c,d,f,g,h,k,l,n,o,p,q,r,s,t,u, G	
0134	049630				D			HANDLE a,b,c,d,e,f,g,h,k,l,m,n,o,p,q,r,s .u,v,w,x,y,z,A,B,C,D,E,F,G	
0136	048657			S				SMALL WHEEL	1,87
0137	048656			S				PIN	10,16
0138	048251		049846					FILTER Up to ser. 113	
0138	049846							FILTER TABLE From ser. 114	130,90
0139	048252							FILTER	62,83
0140	049621			S	C	+		REED SWITCH	15,00
0141	049594			S				SPRING SUPPORT	2,46
0142	049629			S				RUNNER FOR BASKET	106,60
0143	049502							PLUG; M20X1,5	14,99

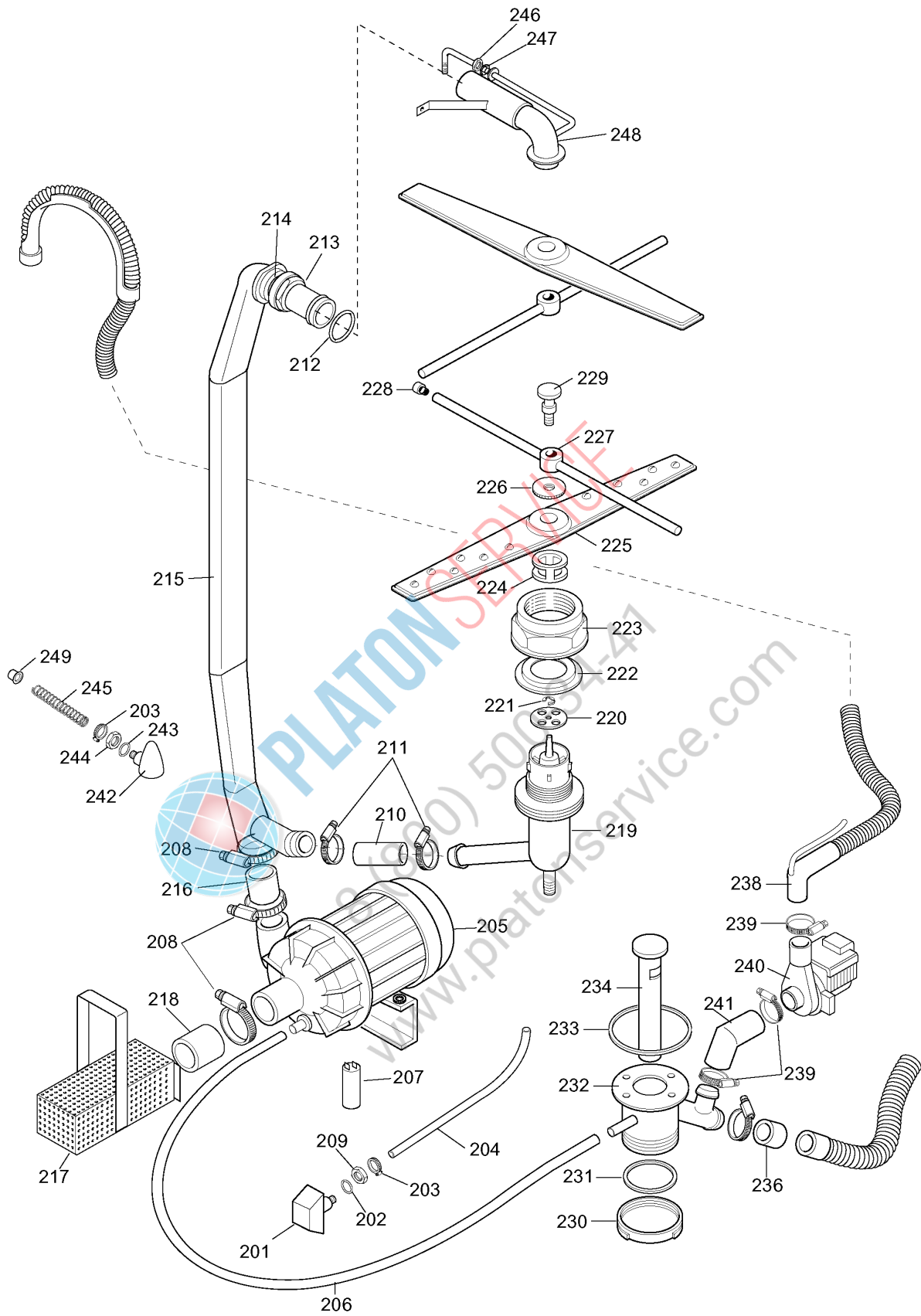
??????	504121								
??????	6-41002		???????? 2				Main view		
.		Alias		S			.		(Euro)
0144	048245			S			GASKET		3,65
0145	049436			S			NUT; M20X1,5		3,87
0146	049586						PIN		3,34
0148	048710			S			DAMPER		7,32
0149	0L0100						SCREW; TE M12X1,75X80 AISI		3,37
0150	0L0101						NUT; M12X1,75		2,33



PLATON SERVICE

8 (800) 500-34-41

www.platonservice.com



ill. 641002p2

LS_10_-12 \ Zan\ 641002

Da Ser. Nr. / From ser. nr.: /944

Page: 3 Ed.99-11

Doc. Nr.: **6-41 002**

??????	504121								
??????	6-41002		???????? 3				Hydraulic components		
.		Alias		S		.			(Euro)
0201	048308			S			AIR TRAP; FOR PRESSURE GAUGE		4,44
0202	068642			S			O-RING; ØI=15,54X2,62		1,02
0203	046946			S			CLAMP; 8-12/7,5		2,22
0204	048883			S			RUBBER HOSE; 5X12; 1PZ=2300MM		12,31
0205	048216			S		60027	WASH PUMP; 230-400V 3P 50HZ 2HP	a,b,d,e,f,g,h,l,m,n,o,q,r,s,t,u,v w,x,y,z,A,B,C,D,E,F,G	467,90
0206	048531			S			RUBBER HOSE; ØI=12MM;ØE=19,5MM;BY METER		9,55
0208	046853			S			HOSE CLAMP; 60-80/9		2,53
0209	049268			S			HEX NUT; M14X1,5		1,80
0210	045768			S			HOSE; ØI= 45MM ØE=55MM L=30CM		18,78
0211	046855			S			HOSE CLAMP; 50-70/9		2,00
0212	068799			S			O-RING; ØI=60,33X3,53 MM		1,02
0213	049596			S		CGX200 5-18	RING NUT		6,68
0214	049593			S			O-RING; ØI=72,39X5,34 MM		1,91
0215	049595		0L0556		D	CGX200 5-18	PIPE		
0216	045456		0L0613		D		HOSE; 95 MM		
0217	049633		049647				PROTECTION	Up to Ser: 139	
0217	049810			S			FILTER FOR PUMP	From Ser: 140	33,09
0218	048242			S			COUPLING		13,68
0219	048235			S			SUPPORT F. LOWER JETS		40,90
0220	048931			S			SHUTTER		3,27
0221	048979			S			SNAP RING		1,42
0222	048236			S			GASKET		3,69
0223	048237			S			RING NUT; LOWER JETS SUPPORT		5,29
0224	048401			S		06001	HUB; FOR WASH ARM		21,32
0225	048247		0L0597		D		WASHING JET		
0226	048632			S			LOCK WASHER		9,50
0227	048716		0L2095				RINSE JET		
0228	048714			S		CGX200 2-09	PLUG; FOR RINSE ARM		1,02
0229	048290			S			PIN; L=43MM; FOR RINSE ARMS		16,79
0230	048231			S			PLUG; FOR DRAIN SUPPORT		5,29
0231	048230			S			GASKET		5,89
0232	049600			S			SUPPORT		10,67
0233	048229			S			GASKET; ØI=46,04X3,53 MM		1,02
0234	048250			S			OWERFLOW PIPE	a,c,d,e,f,h,k,l,m,n,p,q,r,s,t,v,w, x,y,z,A,B,D,E,G	12,51
0238	048845			S			DRAIN HOSE		52,37

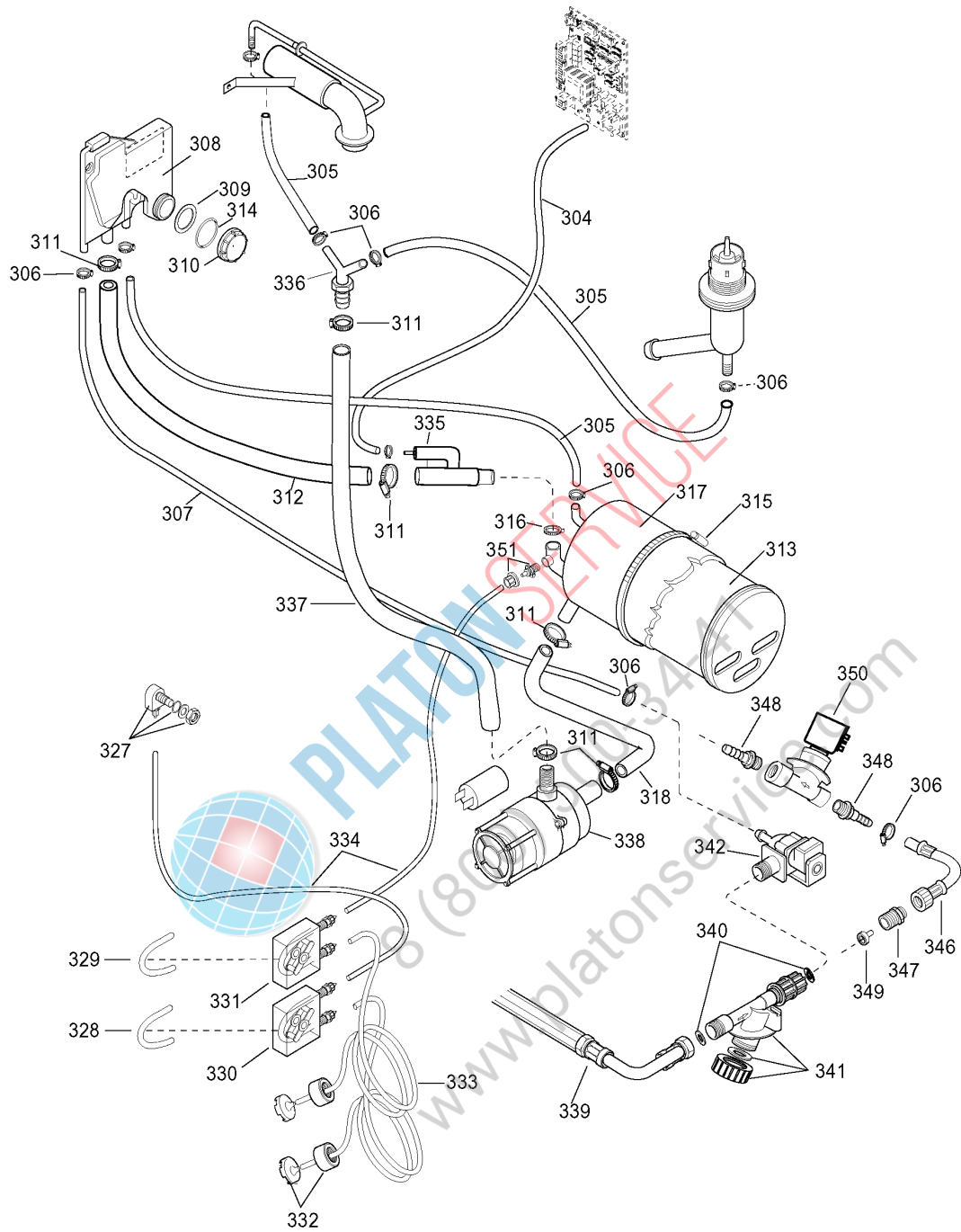
??????	504121								
??????	6-41002		???????? 3				Hydraulic components		
.		Alias		S			.		(Euro)
0239	046878			S			HOSE CLAMP; 35-50/9		1,91
0242	048853			S			AIR CHAMBER		4,01
0243	068642			S			O-RING; ØI=15,54X2,62		1,02
0244	049268			S			HEX NUT; M14X1,5		1,80
0246	049436			S			NUT; M20X1,5		3,87
0247	046799			S			O-RING; FOR OVERFLOW PIPE		1,02
0248	049634						SUPPORT		153,30
0249	049849			S			STOPPER	a,c,d,e,f,h,k,l,m,n,p,q,r,s,t,v,w, x,y,z,A,B,D,E,G - From Ser: 043	1,02



PLATON SERVICE

8 (800) 500-34-41

www.platonservice.com



LS_10_-12 \ Zan\ 641002

ill. 641002p3

Da Ser. Nr. / From ser. nr.: /944	Page: 4	Ed.01-08	Doc. Nr.: 6-41 002
--	---------	----------	---------------------------

??????	504121									
??????	6-41002		???????? 4				Hydraulic circuit			
.		Alias		S			.			(Euro)
0304	072393			S				HOSE; Ø=4X7,4MM; L=500CM; PRESSURE SWITC		11,67
0305	048531			S				RUBBER HOSE; ØI=12MM;ØE=19,5MM;BY METER		9,55
0306	048126			S				CLIP; 13-20		1,58
0307	048531			S				RUBBER HOSE; ØI=12MM;ØE=19,5MM;BY METER	a,c,d,e,f,g,h,m,n,o,p,q,r,t,v,w,y ,x,z,A,B,C,D,E,F,G	9,55
0308	049459			S		+		AIR GAP	a,c,d,e,f,g,h,m,n,o,p,q,r,t,v,w,y ,x,z,A,B,C,D,E,F,G	20,16
0309	046595			S				GASKET	Up to Ser. 118	2,33
0309	049828			S				O-RING; ØI=50MM; ØE=59,5MM	From Ser. 119	1,62
0310	049480			S				RING NUT; FOR AIR GAP		2,53
0311	047578			S				CLAMP; 26-38		1,80
0312	049287			S				HOSE; ØE=30MM; ØI=25MM; L=430MM		10,39
0313	049632			S				ATMOSPHERIC BOILER		223,30
0314	049460			S				O-RING; ØI=53,65MM; ØE=58,89MM		1,02
0315	048436			S				HOSE CLAMP 226-256		7,43
0316	049772			S				CLIP; SET 5PCS	From Ser: 036...	3,61
0317	049415			S				INSULATION		20,16
0318	049599			S				PIPE		21,21
0327	049801			S			CGX200 0-22	DETERGENT INJECTOR		23,35
0328	049419			S		C		DETERGENT DISPENSER HOSE; WITH JOINTS		14,18
0329	049418			S		C		RINSE AID DISPENSER HOSE		14,18
0331	049625	0L0697		D			CGX200 4-17	RINSE AID PERIST. PUMP; 0,4L/ H-3BAR		
0332	049356	0S1028						FILTER		
0333	049359			S				SUCTION HOSE; 4000 MM		15,50
0334	049360	049905		D				HOSE		
0335	049628	0L0098						AIR TRAP		
0336	049289	0L0365						CONNECTION 3 WAY; DIAM 27-12		
0337	049773			S				HOSE; 25,5X36MM; L=1000MM		28,42
0338	049310					D	CGX200 6-01	RINSE PUMP; 230V 1P 50HZ	a,b,d,e,f,g,h,k,l,m,n,o,q,r,s,t,u, v,w,y,x,z,A,B,C,D,E,F,G	149,20
0339	048816	0L1887		C				HOSE	a,c,d,e,f,g,h,m,n,o,p,q,r,t,v,w,y ,x,z,A,B,C,D,E,F,G	
0340	049201			S				GASKET; DIA 3/4"		1,02
0341	048746			S				WATER FILTER; 3/4" M-F		15,17
0342	049626			S		C		SOLENOID VALVE; 319P5 220-240V 50/60HZ	a,c,d,e,f,g,h,m,n,o,p,q,r,t,v,w,y, x,z,A,B,C,D,E,F	15,52
0345	049628	0L0098						AIR TRAP		
0351	049652			S				CONNECTION		4,88



PLATONSERVICE

8 (800) 500-34-47

www.platonservice.com

??????	504121								
??????	6-41002		???????? 5			Electrical components			
.		Alias		S		.			(Euro)
0428	048924		0L2340			TANK HEATING ELEMENT; 2200W 230V			
0429	049756			S		CGX200 2-21 HEATING ELEMENT;3KW 230V;L=162MM;X BOILE	f,m,n,o,p,r,x,y,z,A,B,C		64,96
0430	048429			S		BRACKET			2,01
0432	049620			S		PRESSURE SWITCH; CALIB.= 250/130-390			20,00
0433	049303			S		RADIO INTERFERENCE FILTER; 250V 50/60HZ			23,55
0434	049618		0L0111			TERMINAL BOARD			
0435	048825		0L0285		D	CONTACTOR; K2-09A01-230			
0436	049754		0L0548			USER INTERFACE BOARD	See T.B.0041		
0437	049752		0L0705			PCB; MOTHER	a,c,d,e,f,g,h,m,n,o,p,q,r,t,v,w,y ,x,z,A,B,C,D,E,F,G,b,k,l,s,u - See T.B.0041		
0438	049580					SUPPORT			14,65
0439	049643			S		TEMPERATURE PROBE			9,76
0440	0E5993		0L0815			HOSE CLAMP; DIA.7,8-8,3MM			
0441	046376		0L0555		D	O-RING			



PLATON SERVICE
8 (800) 500-34-41
www.platonservice.com